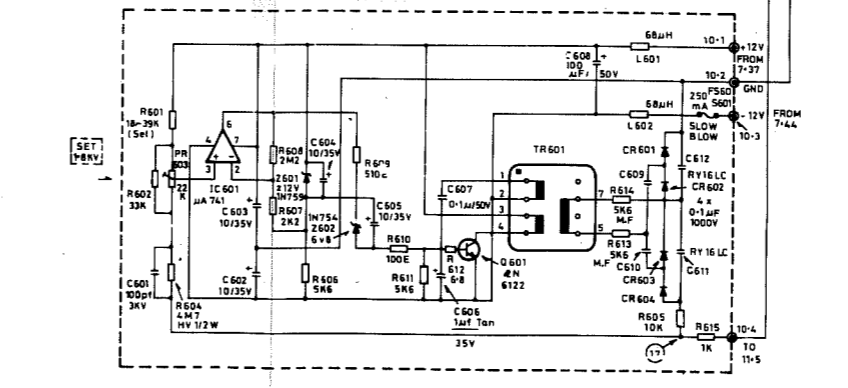
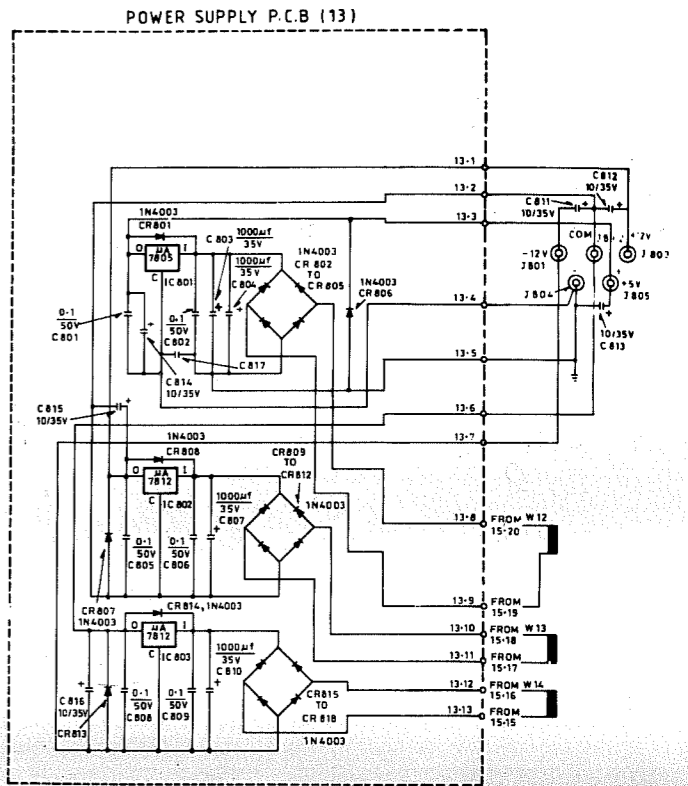
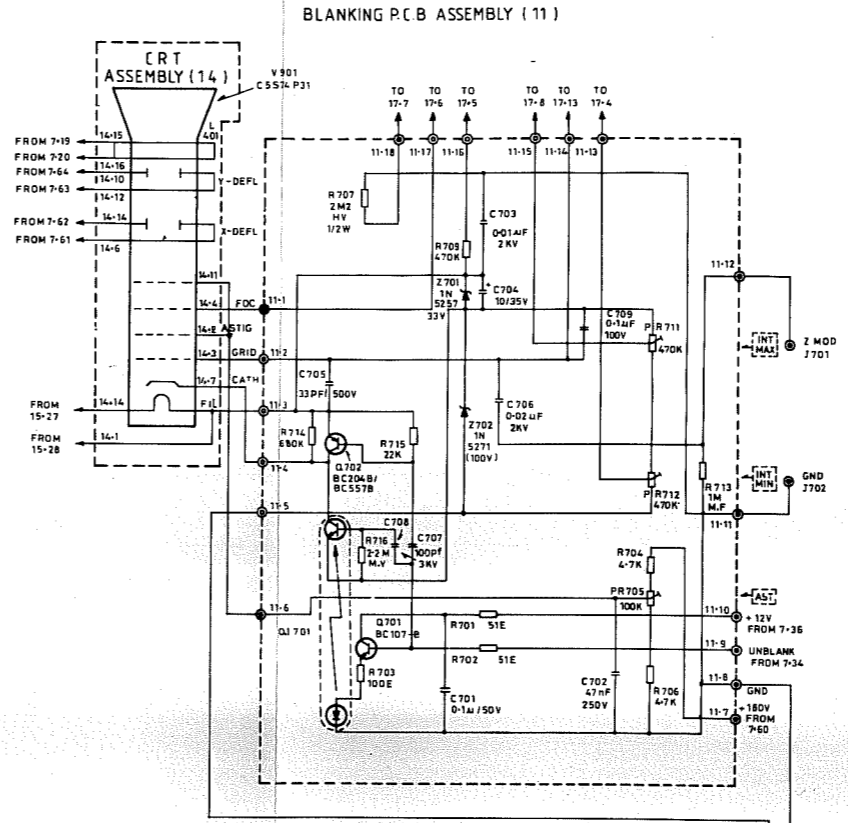
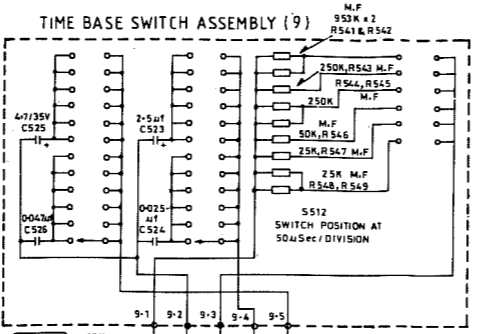
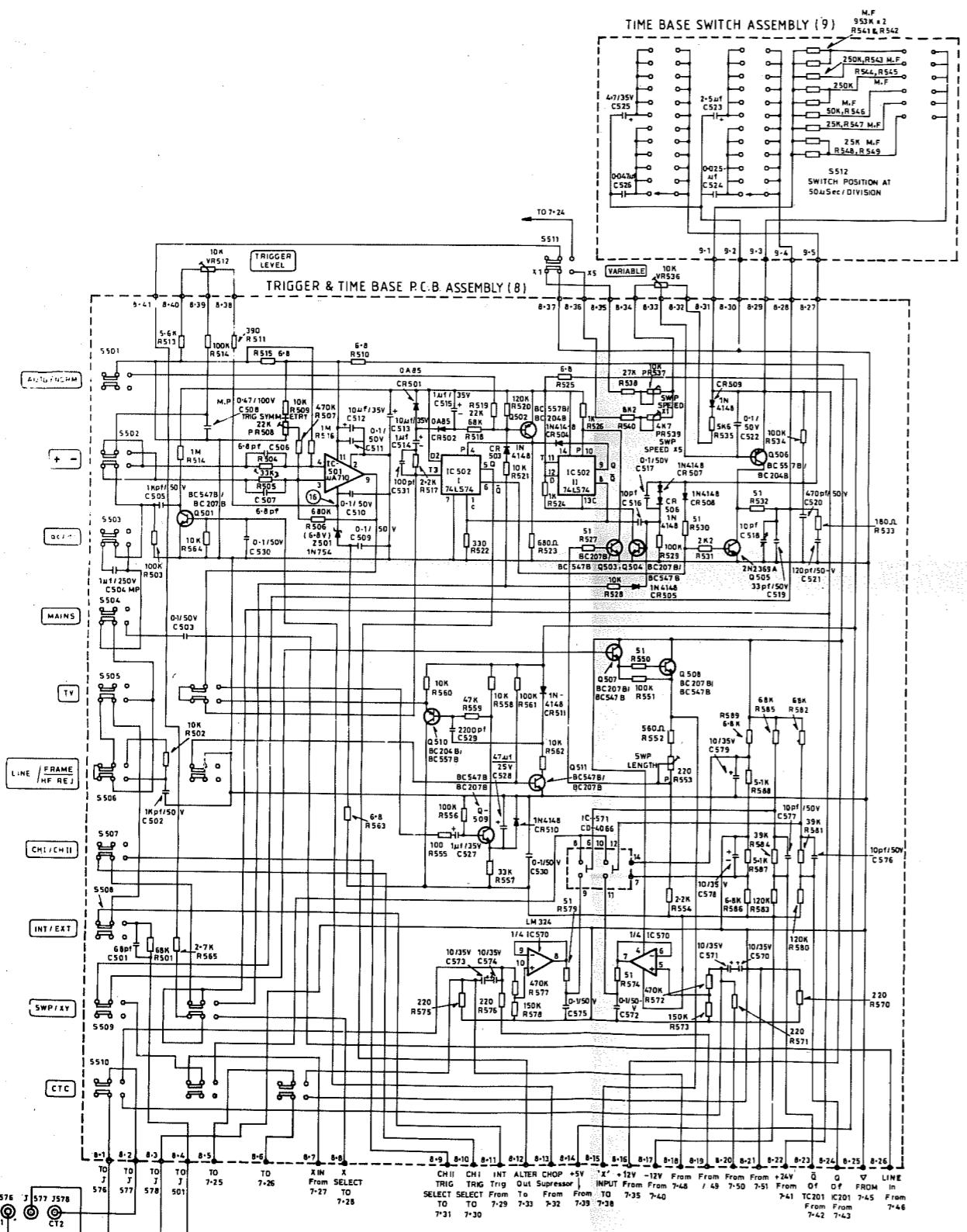


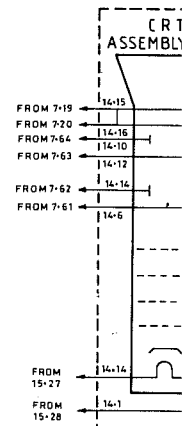
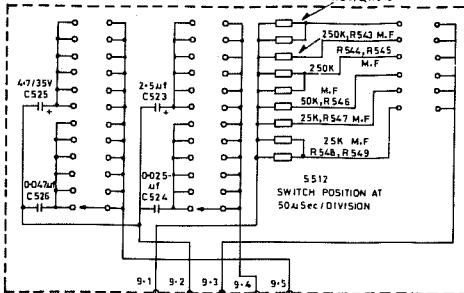
FIG. VII.B ATTENUATOR, MAIN BOARD & MAINS TRANSFORMER



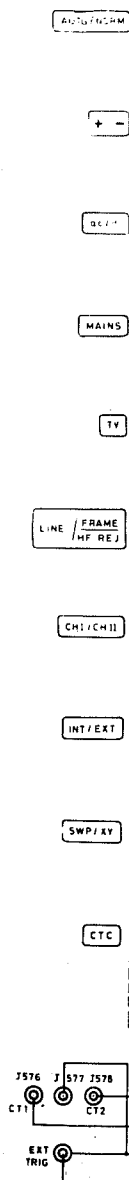
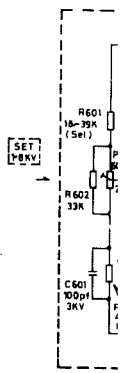
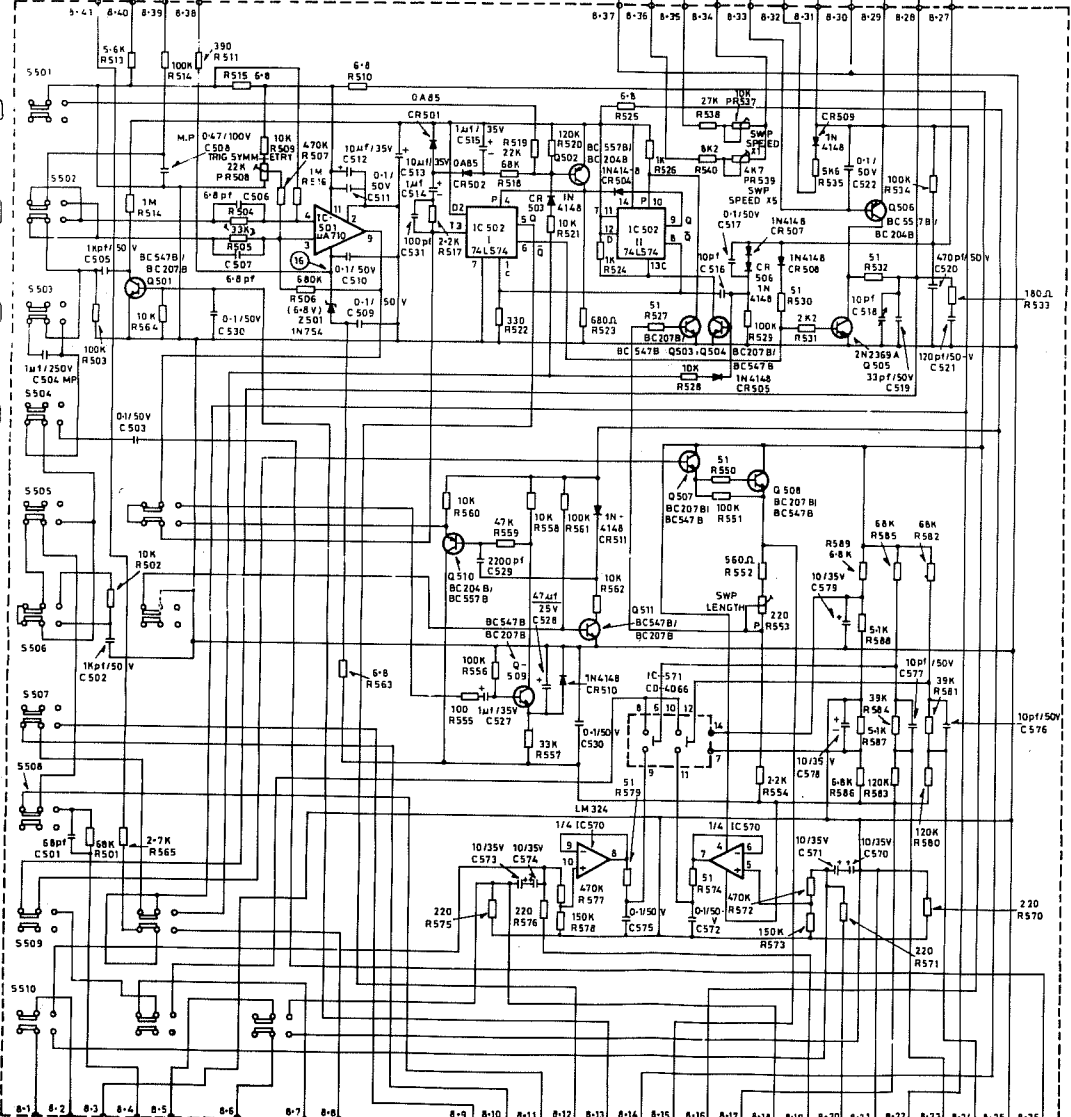
wme \_ West Mall Engineers **FIG. VII. F TRIGGER, TIME BASE, BLANKING, E.H.T., POWER SUPPLY & C.R.T**

TIME BASE SWITCH ASSEMBLY (9)

M.F.  
953K ±3  
R541 & R542



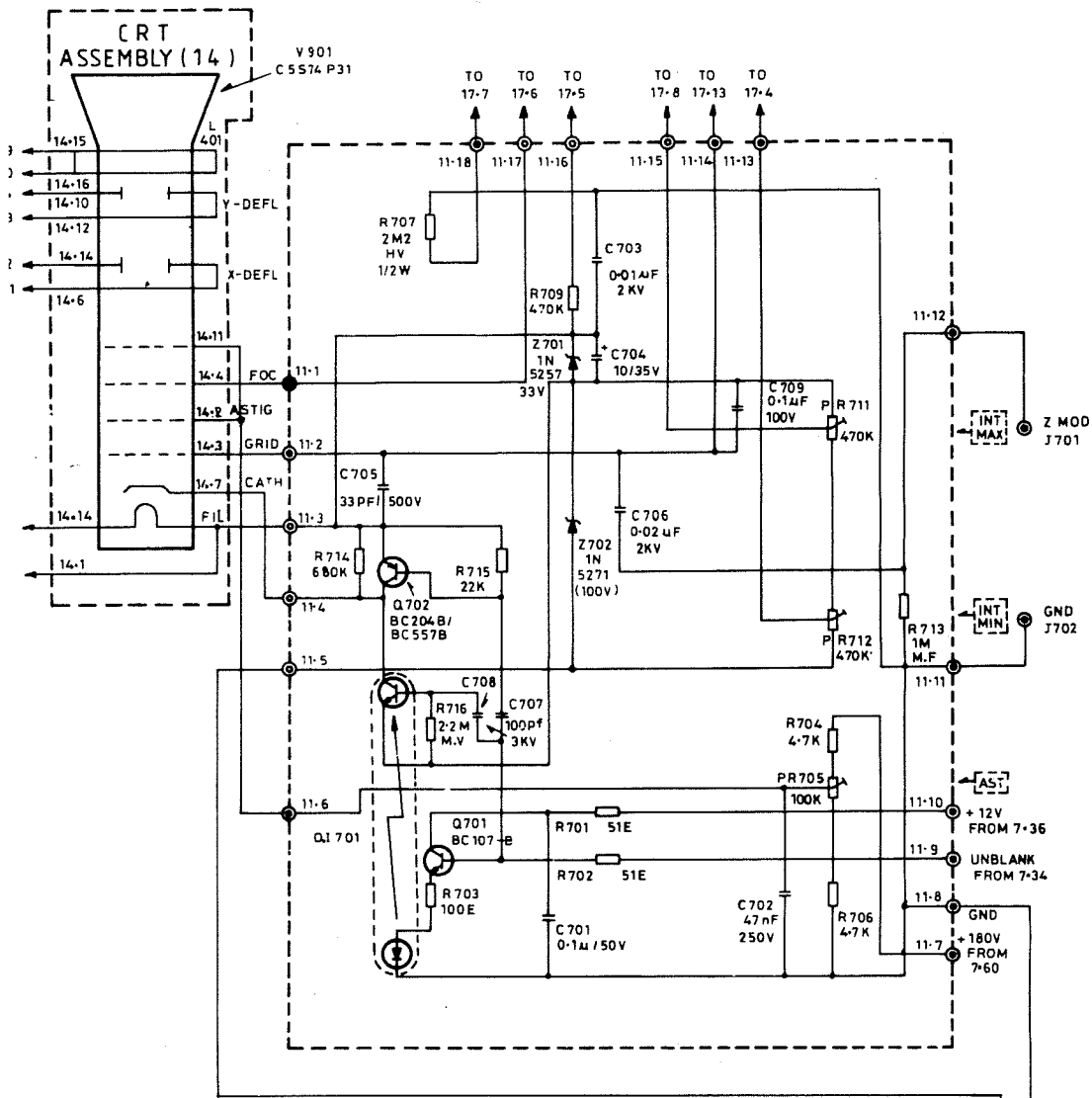
TRIGGER & TIME BASE P.C.B ASSEMBLY (8)



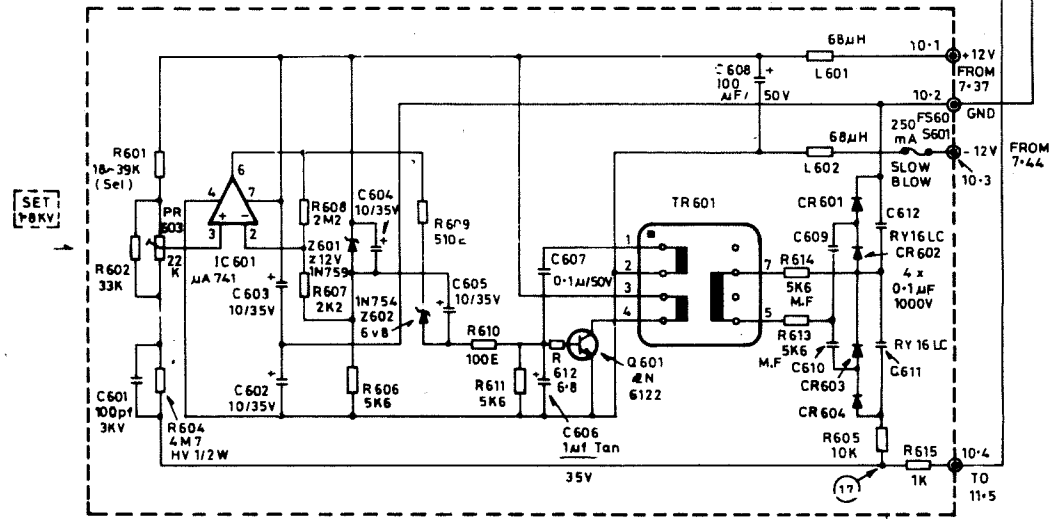
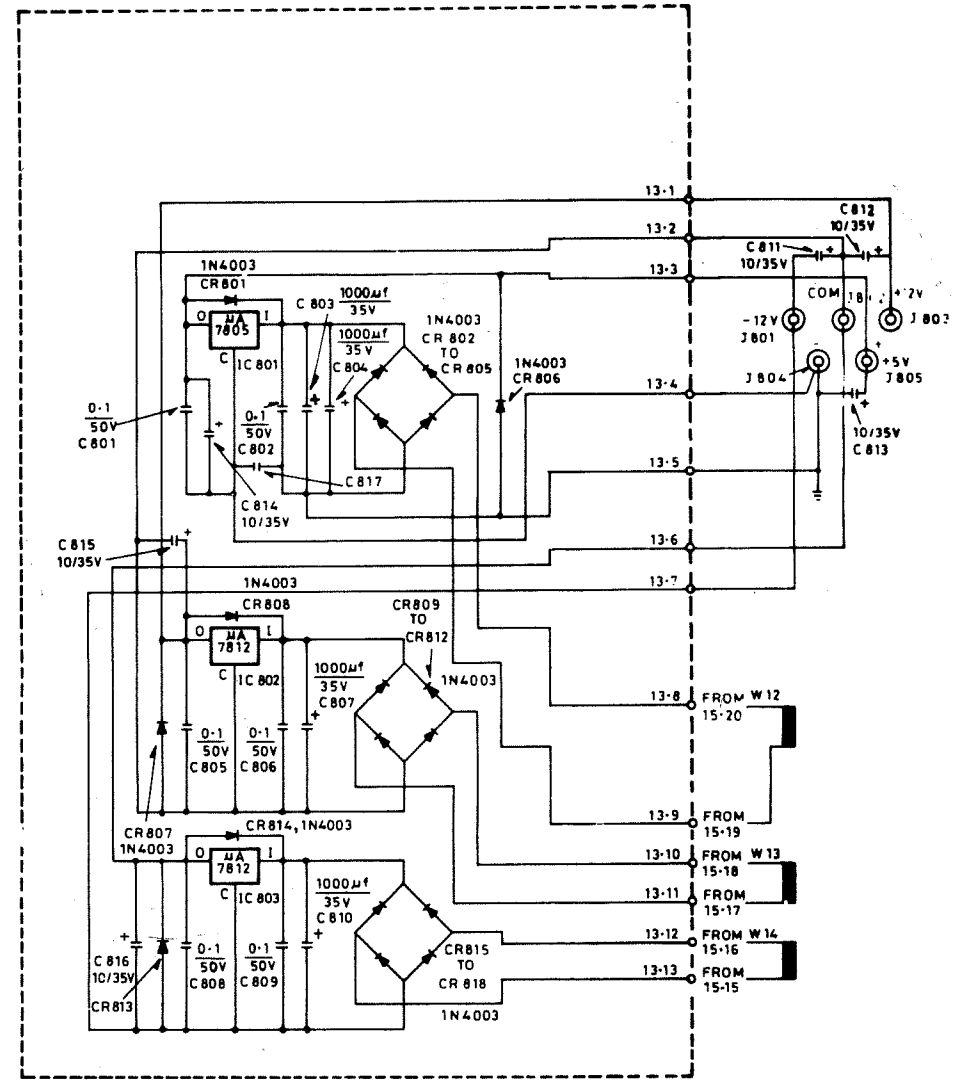
CHI TRIG FROM 7-31 TO 7-30  
 CHI TRIG FROM 7-29 TO 7-27  
 INT TRIG FROM 7-27 TO 7-28  
 ALTER CHOP FROM 7-27 TO 7-28  
 +5V INPUT FROM 7-48 TO 7-49  
 +12V INPUT FROM 7-50 TO 7-51  
 -12V INPUT FROM 7-51 TO 7-52  
 SUPPRESSOR INPUT FROM 7-48 TO 7-49  
 FROM 7-48 TO 7-50  
 FROM 7-50 TO 7-51  
 FROM 7-51 TO 7-52  
 FROM 7-42 TO 7-43

○ INDICATES TEST POINT  
 □ INDICATES PANEL CONTROL

BLANKING P.C.B ASSEMBLY (11)



POWER SUPPLY P.C.B (13)



EHT P.C.B ASSEMBLY (10)